

## Product Model:

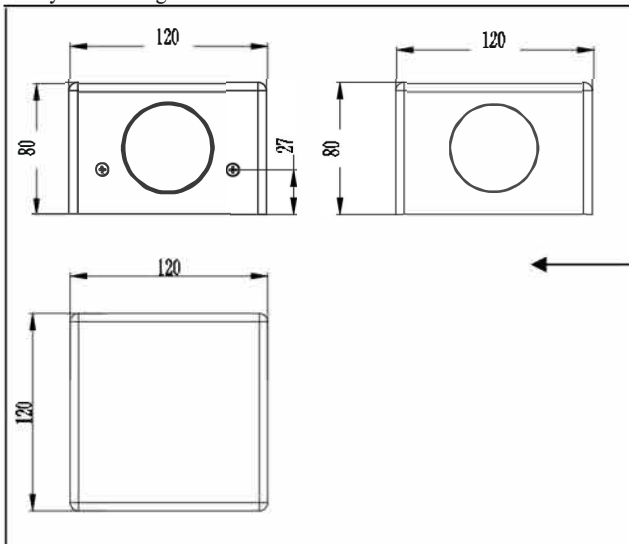
This installation instruction applies to thousands of LED cross lights.

## Installation Precautions:

1. Please read through the Instructions before installation.
2. The product should be installed by a professional electrician.;
3. Make sure the power supply is cut off before installation and maintenance, to avoid the risk of electric shock.
4. Before installing the lighting fixtures, please confirm that the installation surface is firm and reliable to avoid loosening or detachment of the lighting fixtures
5. Please keep this Instruction properly for future reference.

## Installation method and steps:

1. This lamp is fixed with the mounting surface by stainless steel screws.
2. The power cable leading from the lamp: the brown line indicates the power supply AC220V L, the blue line indicates the power supply AC220V N, and the yellow and green line indicates FG.



### 1. Signal line definition:

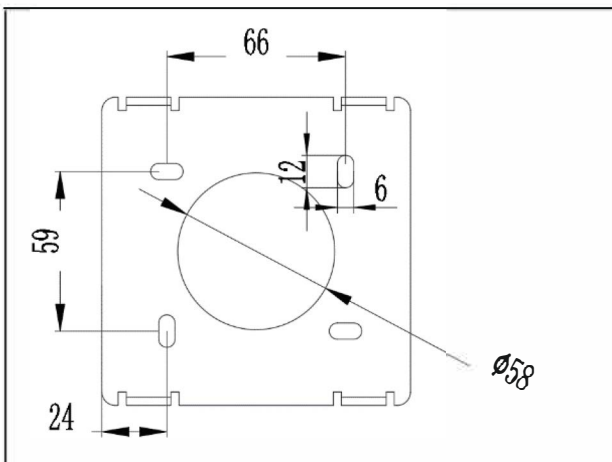
Blue signal positive, yellow and green signal negative, brown address line, black signal ground.

2. Length of power cord (S:250mm).

### 3. Line definition:

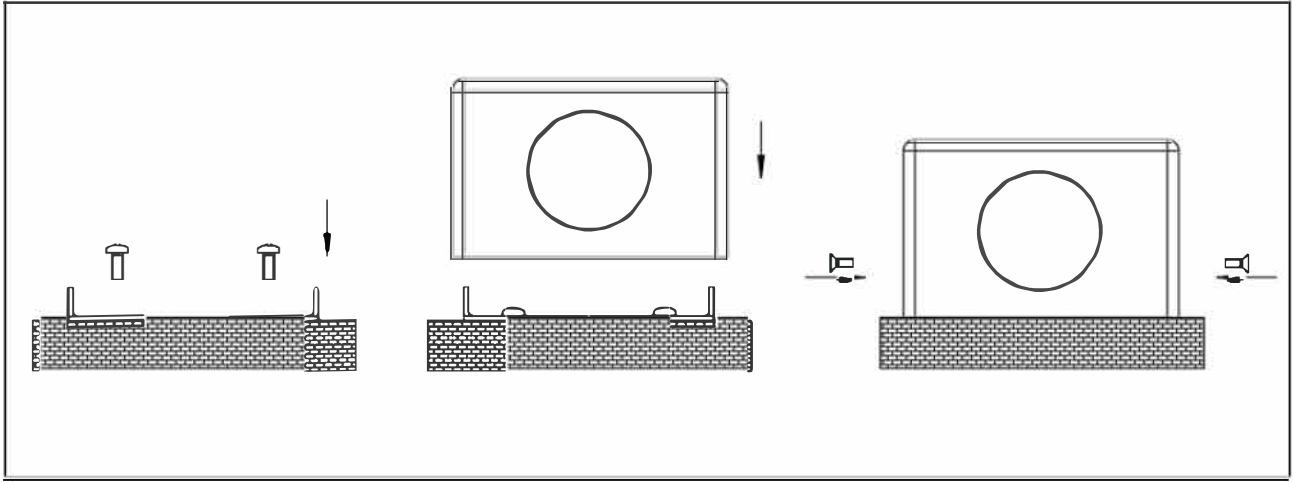
Brown line is connected to the power supply AC220V L, blue line is connected to the power supply AC220V N, The yellow and green wires are connected to FG.

### 3. Mounting bracket holes:



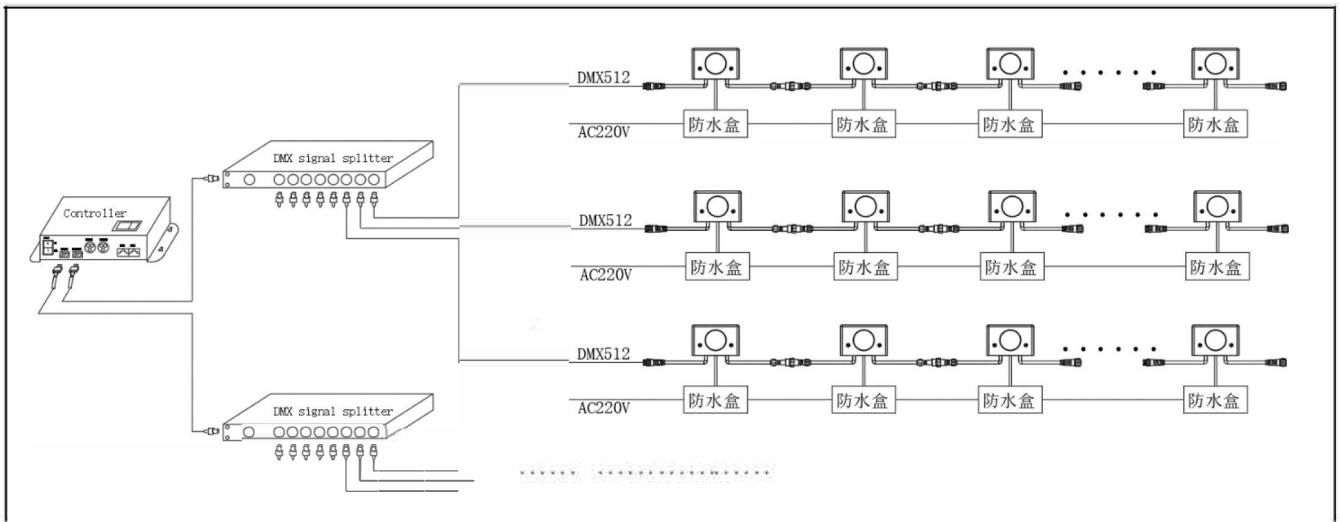
## 4. Installation method

1. Place the luminaire bracket on the mounting surface and lock it with M5 expansion screws.
- 2) Clamp the lamp into the bracket, and lock it with M4 screws on both sides.



## 5. Lighting connection mode

(Attached Figure 2)



Note:

The wire connection shall use IP65 and the upper waterproof junction box, and the waterproof connector of the junction box shall match the lamp lead

Licensed by "WAC" trademark holder - WAC LIGHTING, USA

Chinese Marketing Headquarters : WAC Lighting (Shanghai) Co, Ltd.

Address : 14, Lane 299, Bi Sheng Road, Shanghai 201204, China

China factory : Manufactured WAC Lighting (Dongguan) Co, Ltd.

Address : 390, Qingfeng Road, Qingxi Town, Dngguan, Guangdong. Postal code: 523653